



For

ility

8

572-1750025-1
SENSOR SYSTEMS, INC.
CHANNING, CA
MFG 1988

Antenna: L-BAND

P/N: S72-1750-31L C

S/N: 9371 B

Color: WHITE P MG

Note: O-RING/SCREWS/PLT



Sensor Systems Inc.

Antenna: L-BAND

P/N: S72-1750-32L C

S/N: 9437 B

Color: WHITE P MG

Note: O-RING/SCREWS/PLT

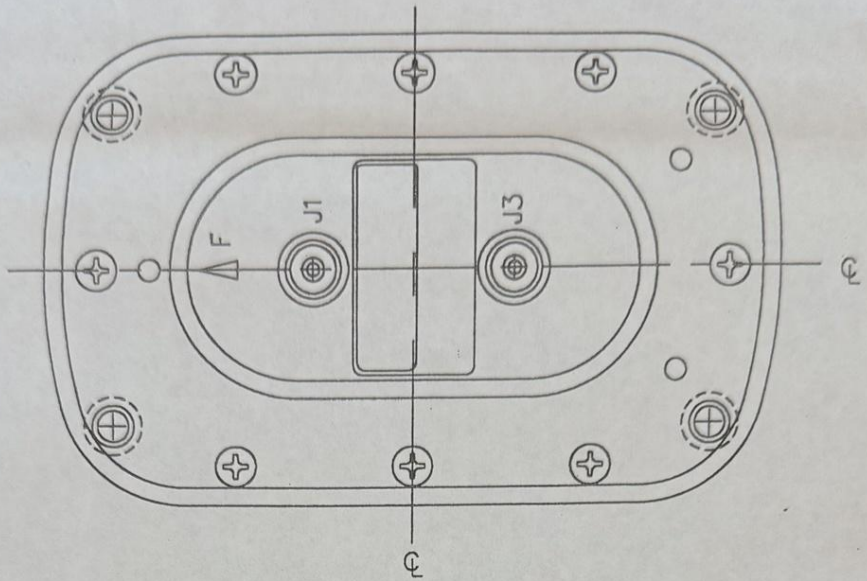


Sensor Systems Inc.

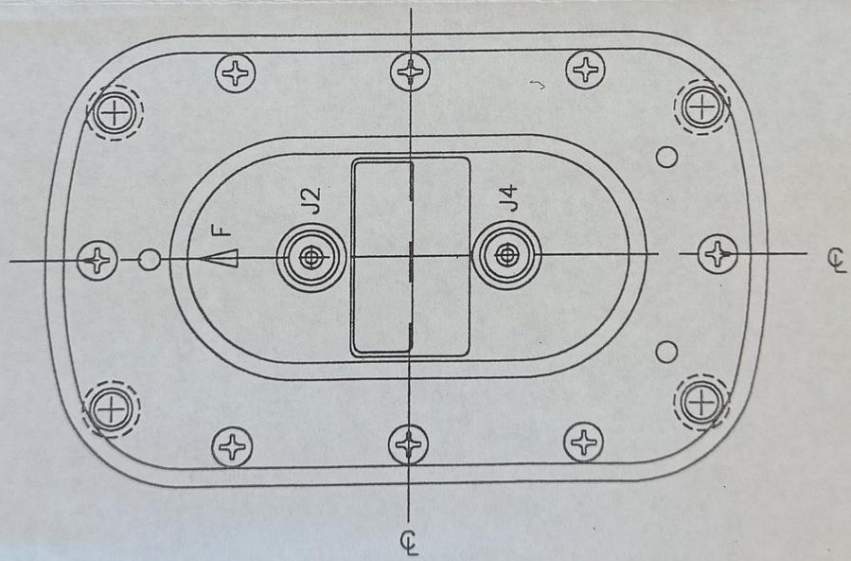
PN: 70-2410
LOT: 55556
DIV: 1

THE INFORMATION AND DESIGN DISCLOSED HEREIN IS UNCLASSIFIED AND IS THE PROPERTY OF BOEING SYSTEMS INC. DESIGN RESERVED AS PART OF PROPRIETARY DESIGN, MANUFACTURING, REPAIRING, AND TOOLING RIGHTS RESERVED, AND TO ANY APPLICABLE PATENT RIGHTS, EXCEPT TO THE EXTENT RIGHTS ARE EXPRESSLY GRANTED IN WRITING. THE FOREGOING DOES NOT APPLY TO DESIGN PROPRIETARY RIGHTS.

REVISIONS			
LTN	DESCRIPTION	EFFECTIVITY	DATE



TOP
L-BAND ANTENNA
SINGLE BLADE



BOTTOM
L-BAND ANTENNA
DUAL BLADE

CODE IDENT NO.	SIZE	NO.	REV
13691	A	S72-1750-31L/-32L	-
SCALE NONE			SHEET 2 OF 2